

Viking Installation Guide



Viking Range Corporation

111 Front Street

Greenwood, Mississippi 38930 USA

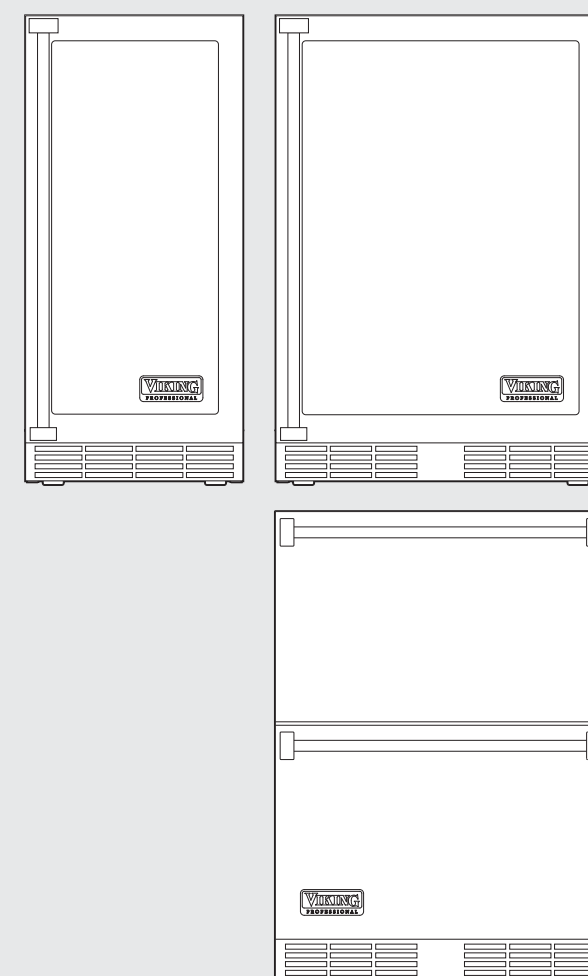
(662) 455-1200

For product information,

call 1-888-VIKING1 (845-4641)

or visit the Viking Web site at

vikingrange.com



15"W./24"W.
Undercounter Refrigeration



(100311)

Table of Contents

Warnings & Important Information _____	3
Proper Disposal _____	4
Dimensions (15"W. Professional) _____	5
Dimensions (24"W. Professional) _____	6
Dimensions (24"W. Professional) _____	7
Specifications _____	8
Cutout Dimensions _____	9
General Information _____	10
Custom Panel _____	12
Custom Panel Dimensions (15"W. with glass door) _____	12
Custom Panel Dimensions (24"W. with glass door) _____	13
Custom Panel Dimensions (24"W. refrigerated drawers) _____	14
Custom Panel Handle Installation _____	15
Custom Panel Installation _____	15
Anti-Tip Brackets _____	16
Installation _____	17
Kickplate Installation _____	19
Installation Checklist _____	20
Service Information _____	21

IMPORTANT—Please Read and Follow!

IMPORTANT – PLEASE READ AND FOLLOW

- Before beginning, please read these instructions completely and carefully.
- **DO NOT** remove permanently affixed labels, warnings, or plates from the product. This may void the warranty.
- Please observe all local and national codes and ordinances.
- Please ensure that this product is properly grounded.
- The installer should leave these instructions with the consumer who should retain for local inspector's use and for future reference.

A GFI shall be used if required by NFPA-70 (National Electric Code), federal/state/local laws, or local ordinances.

- The required use of a GFI is normally related to the location of a receptacle with respect to any significant sources of water or moisture.
- Viking Range Corporation will NOT warranty any problems resulting from GFI outlets which are not installed properly or do not meet the requirements below.

If the use of a GFI is required, it should be:

- Of the receptacle type (breaker type or portable type NOT recommended)
- Used with permanent wiring only (temporary or portable wiring NOT recommended)
- On a dedicated circuit (no other receptacles, switches or loads in the circuit)
- Connected to a standard breaker of appropriate size (GFI breaker of the same size NOT recommended)
- Rated for Class A (5 mA +/- 1 mA trip current) as per UL 943 standard)
- In good condition and free from any loose-fitting gaskets (if applicable in outdoor situations)
- Protected from moisture (water, steam, high humidity) as much as reasonably possible.

⚠ WARNING

To reduce the risk of fire, electric shock, or injury when using your unit, follow these basic precautions:

- Read all instructions before using the unit.
- Never allow children to operate, play with, or crawl inside the unit.
- Never clean unit parts with flammable fluids. The fumes can create a fire hazard or explosion.
- Always turn the power on/off switch (located behind the air grille on top right side) to the OFF position before attempting to change light bulbs, clean, or service the unit.

FOR YOUR SAFETY

DO NOT STORE OR USE GASOLINE OR OTHER FLAMMABLE VAPORS AND LIQUIDS IN THE VICINITY OF THIS OR ANY OTHER APPLIANCE. THE FUMES CAN CREATE A FIRE HAZARD OR EXPLOSION.

It is your responsibility to be sure your undercounter refrigeration is:

- located so the front is not blocked to restrict incoming or discharge air flow.
- properly leveled.
- located in a well ventilated area.
- connected to the proper kind of outlet, with the correct electric supply and grounding. A 115V, 60 Hz, 15 amp fused electrical supply is required. **Note:** Time delay fuse or circuit breaker is recommended.
- not used by anyone unable to operate it properly.
- used only for its intended purpose.
- properly maintained.

•SAVE THESE INSTRUCTIONS•

Proper Disposal (of old refrigeration unit)

⚠ DANGER

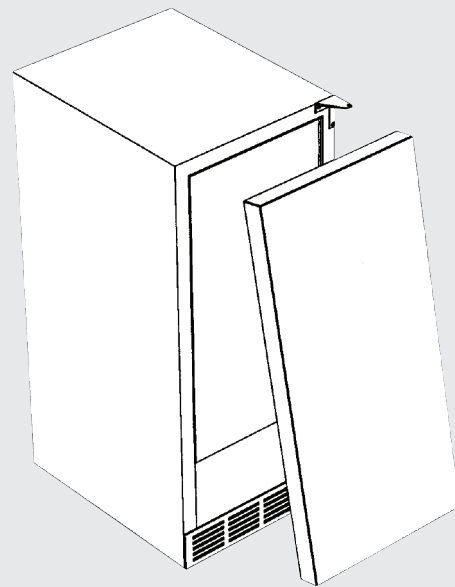
RISK OF CHILD ENTRAPMENT Before You Throw Away Your Old Refrigeration Unit:

- Take off the doors.
- Leave the shelves in place so that children may not easily climb inside.

IMPORTANT: Child entrapment and suffocation are not problems of the past. Junked or abandoned refrigeration units are still dangerous—even if they will sit for “just a few days”. If you are getting rid of your old refrigeration unit, please follow these instructions to help prevent accidents.

IMPORTANT: Now that you have a new refrigeration unit, it is extremely important that you dispose of your old appliance in a way that minimizes the possibility that children will find it. There have been many cases in years past of children crawling inside junked and abandoned refrigeration units and becoming trapped or suffocated.

Contact your municipal waste disposal authority to find out the best and safest way to dispose of your old refrigeration unit.



⚠ DANGER

Altering, cutting of the power cord, or removal of the power cord, removal of power plug, or direct wiring can cause serious injury, fire and/or loss of property and/or life and will void the warranty.

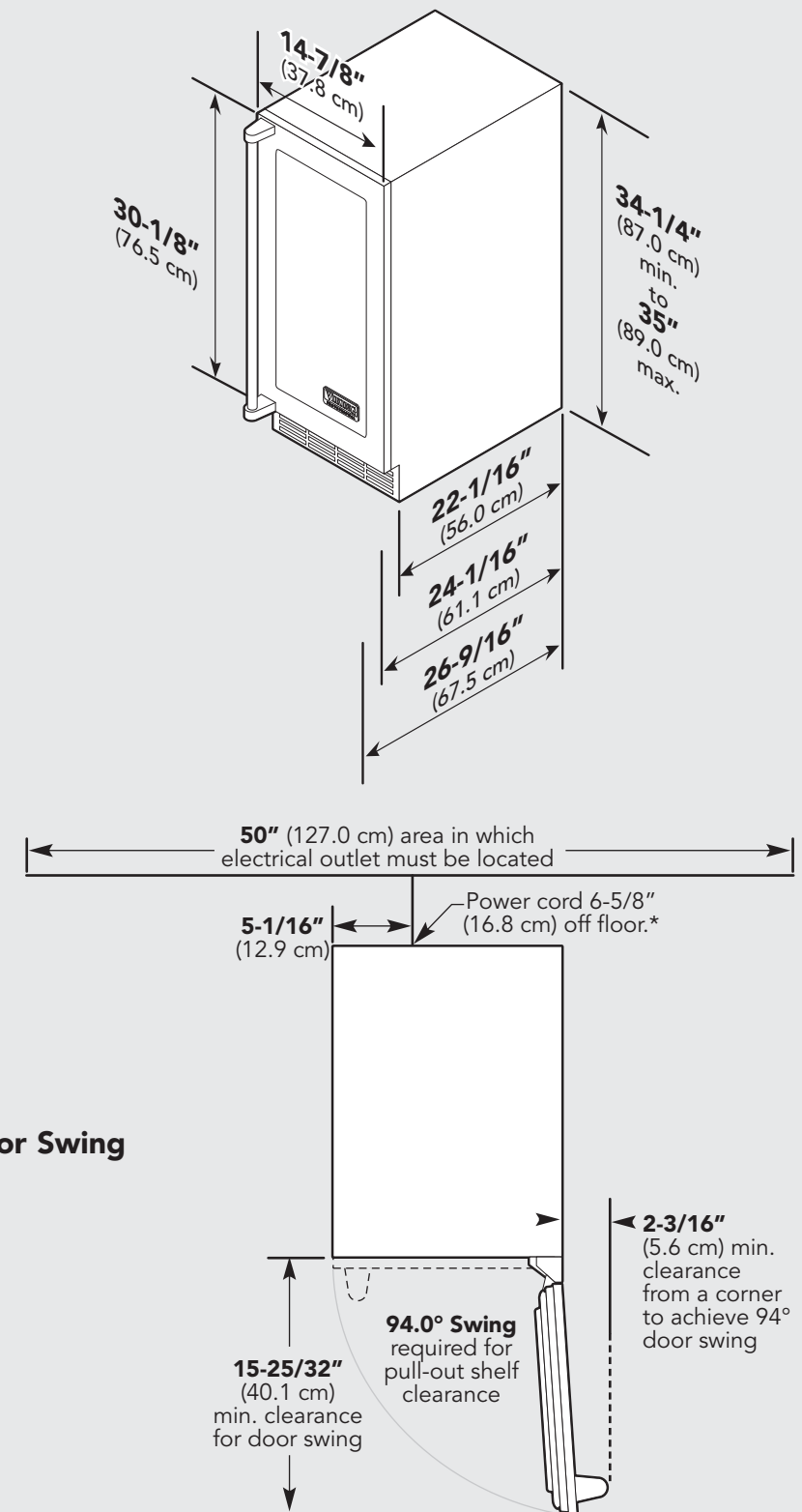
⚠ WARNING

- Never attempt to repair or perform maintenance on the unit until the electricity has been disconnected.
- The anti-tip kit must be installed on this unit before it is used. Never use the drawers, shelves or doors as steps or to support more than they were designed to support.

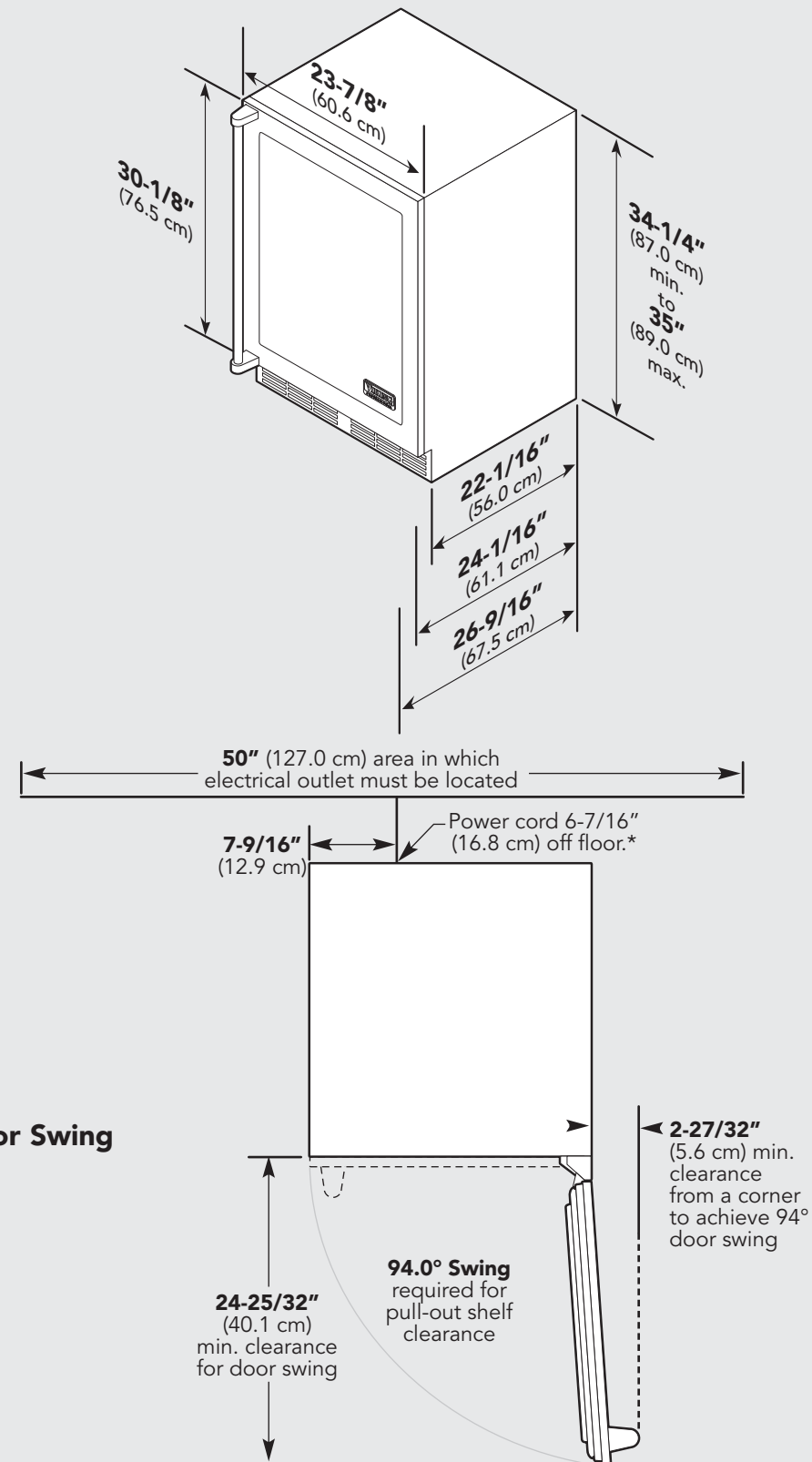
⚠ CAUTION

- Do not lift unit by drawer or door handles.
- Failure to clean the condenser every three months can cause the unit to malfunction. This could void the warranty.
- Never install the unit behind closed doors. Be sure front louvered kickplate is free of obstruction. Obstructing free airflow can cause unit to malfunction, and may void warranty.

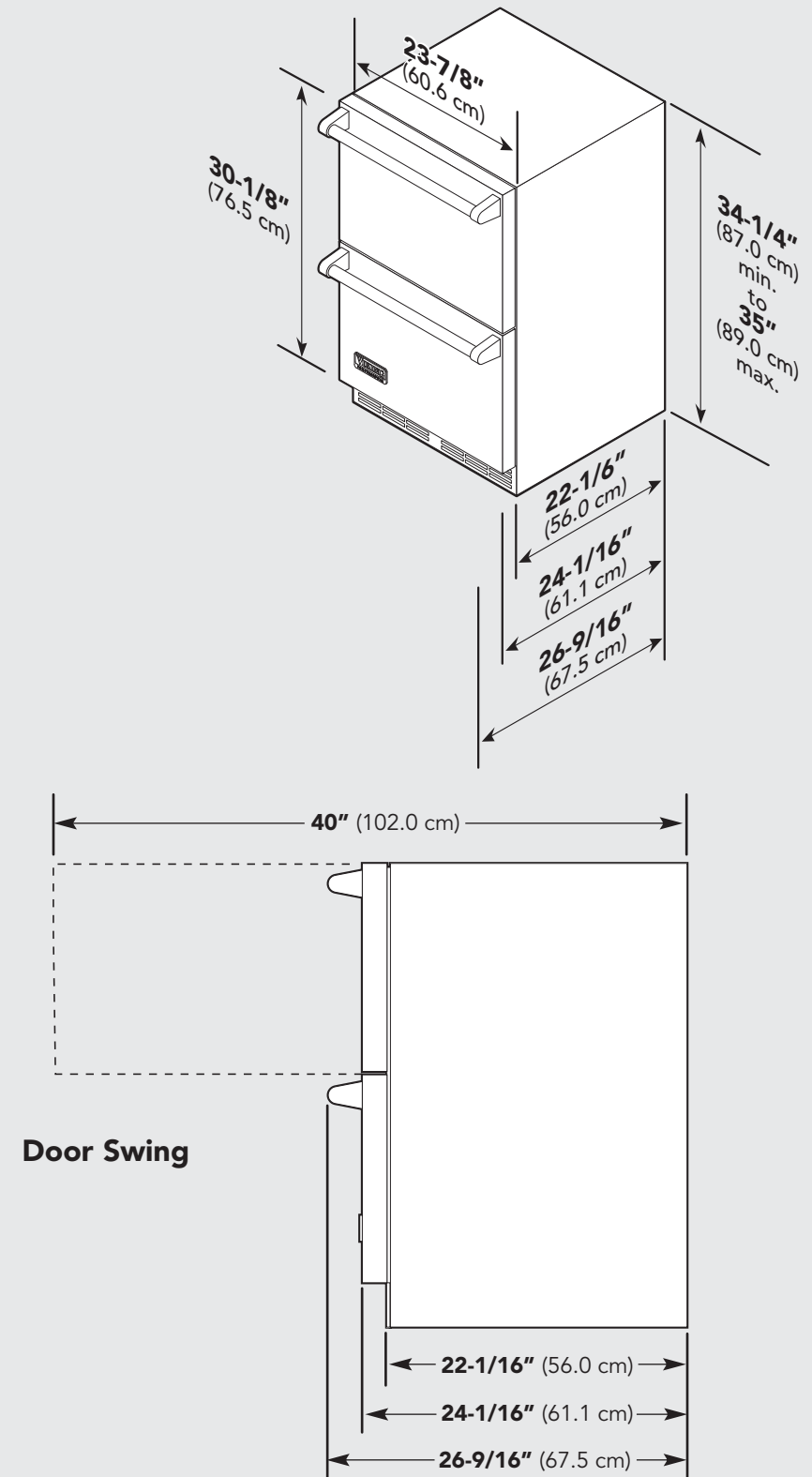
Dimensions (15"W. Professional)



Dimensions (24"W. Professional)



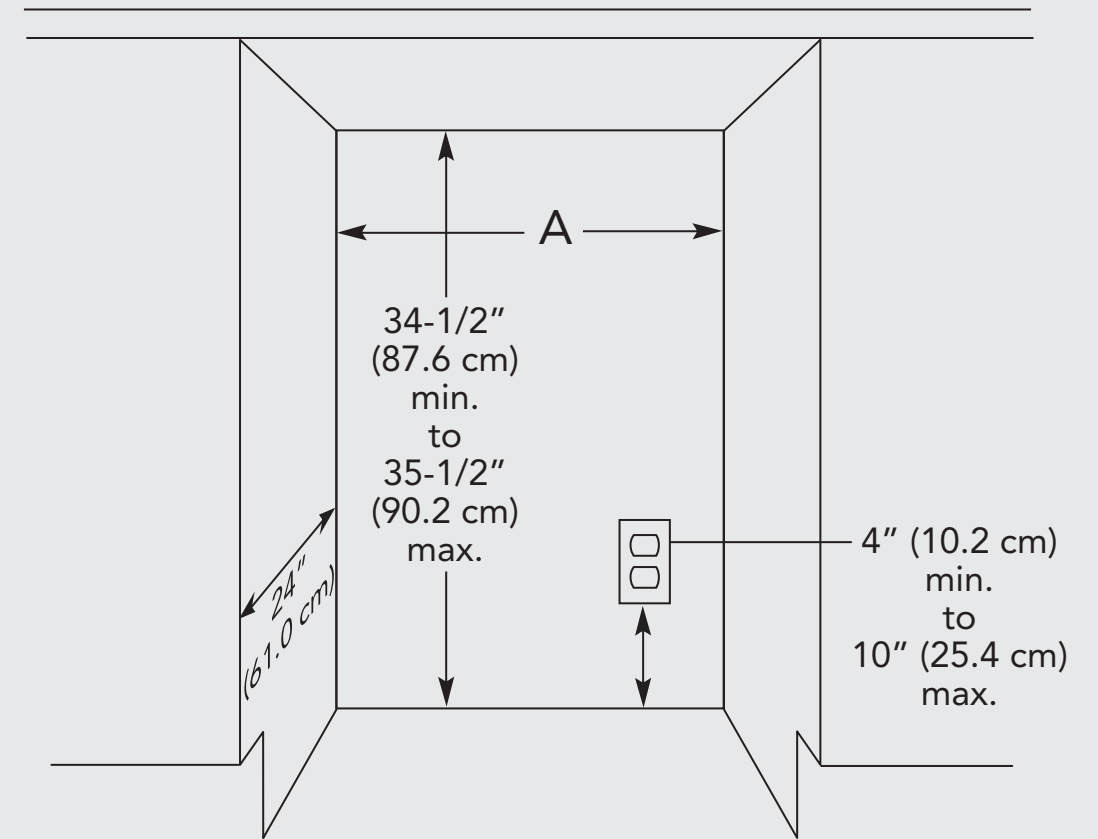
Dimensions (24"W. Professional)



Specifications

15"/24"W. Undercounter/Freestanding Refrigeration		
Description	15"	24"
Overall width	14-7/8" (37.8 cm)	23-7/8" (60.6 cm)
Overall height	34-1/4" (87.0 cm) min. to 35" (89.0 cm) max.	
Overall depth from rear cabinet (with door panel) (with door handle)	22-1/16" (56.0 cm) 24-1/16" (61.1 cm) 26-9/16" (67.5 cm)	
Cutout width	15" (38.1 cm)	24" (61.0 cm)
Cutout height	34-1/2" (87.6 cm) min. to 35-1/2" (90.2 cm) max.	
Cutout depth	24" (61.0 cm)	
Electrical requirements	115V/60 Hz, 15 amp dedicated circuit 5' 3-wire cord attached to product	
Maximum amp usage	3.0 amps	
Approximate shipping weight	175 lbs. (79.0 kg)	215 lbs. (98.0 kg)

Cutout Dimensions



A
15"W. Models - 15" (38.1 cm)
24"W. Models - 24" (61.0 cm)

General Information

Preparing the Area

Make sure that the opening area where the unit is to be installed is properly prepared. Ensure the space dimensions and electrical service are correct for the models to be installed.

⚠ CAUTION

If unit is being installed under a countertop, it is recommended that the countertop be supported by structure other than the refrigerated cabinet to prevent damage to the countertop.

IMPORTANT: For a door to operate properly, the door must open a minimum of 94°. Use a minimum 3-inch filler in corner installations to assure a 94° door opening. Allow 24" clearance in front of the unit for full door swing, shelf pull-out or drawer pull-out.

IMPORTANT: Make sure the floor under the unit is level with the surrounding finished floor. Protect a finished floor with plywood, cardboard or some other suitable material before moving the unit into place. Failure to do this may result in damage to the floor.

Floor must be level in area of installation. Leg levelers are used for fine-tune adjustment only and should not be used to compensate for floor differences exceeding 1/2 inch.

Preparing Electrical Connections

All electrical instructions assume that outlet is located 4 to 10 inches from the floor.

A 115 volt, 60Hz, 15 amp circuit breaker and electrical supply are required. A separate circuit is required for each unit installed.

Follow the National Electrical Code and local codes and ordinances when installing the receptacle.

All units come equipped with a NEMA 5-15P 90° plug with a minimum of 5-feet of cord extending beyond the rear of the cabinet. The electrical outlet must be flush with or recessed into the back wall.

IMPORTANT: Never use an extension cord to extend the power cord to the electrical receptacle.

⚠ DANGER

ELECTROCUTION HAZARD

Electrical grounding required. This appliance is equipped with a three prong (grounding) polarized plug for your protection against possible shock hazards.

Never remove the round grounding prong from the plug.

- Never use a two-prong grounding adapter.
- Never use extension cord to connect power to the unit.

Where a two-prong wall receptacle is encountered or a longer power cord is required, contact a qualified electrician to have it replaced in accordance with applicable electrical codes.

⚠ DANGER

Failure to comply with the above electrical guidelines may result in possible injury, death, fire or loss of property.

General Information

Unpacking and Moving Unit

⚠ CAUTION

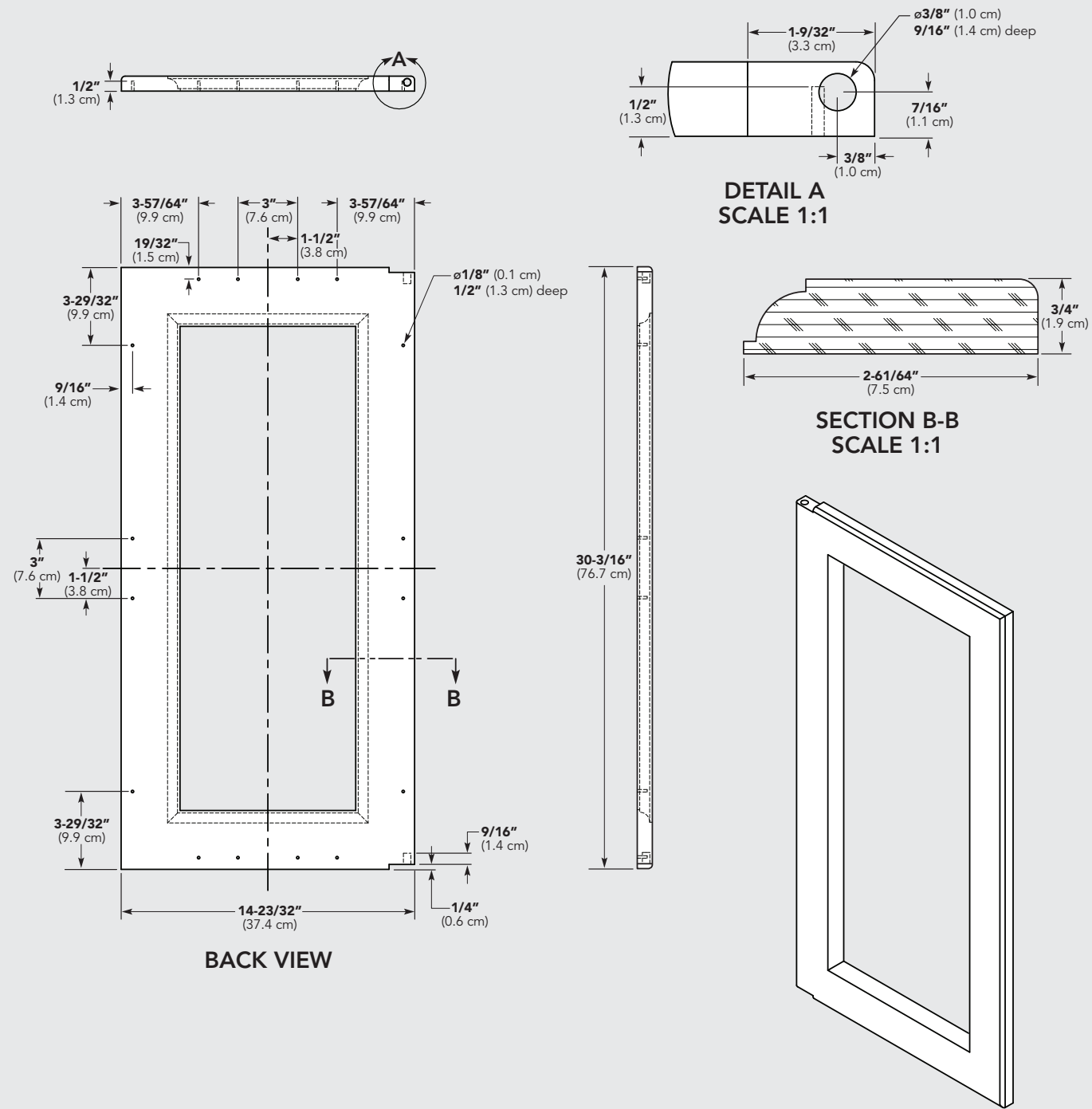
Do not cut cardboard sleeve covering the unit. Cutting may result in damage to the exterior of the cabinet.

1. Uncrate the unit outside on a flat level surface. Remove the cardboard sleeve by removing the banding holding the sleeve to the shipping base. Carefully lift the cardboard sleeve up over the top of the unit.
2. Carefully lift unit off base and onto a hand truck or dolly (this should be done with a minimum of two people; larger units may require additional help). Make sure unit is balanced on transporting device. Secure unit to transporting device using soft, flexible strapping. Protect unit surfaces with cloth material where strapping contacts unit.
3. Before moving unit, secure door to unit with tape so the door stays closed.
4. Carefully move unit to installation site and place in front of opening. Take care to protect floor surface with cardboard, rugs, etc.

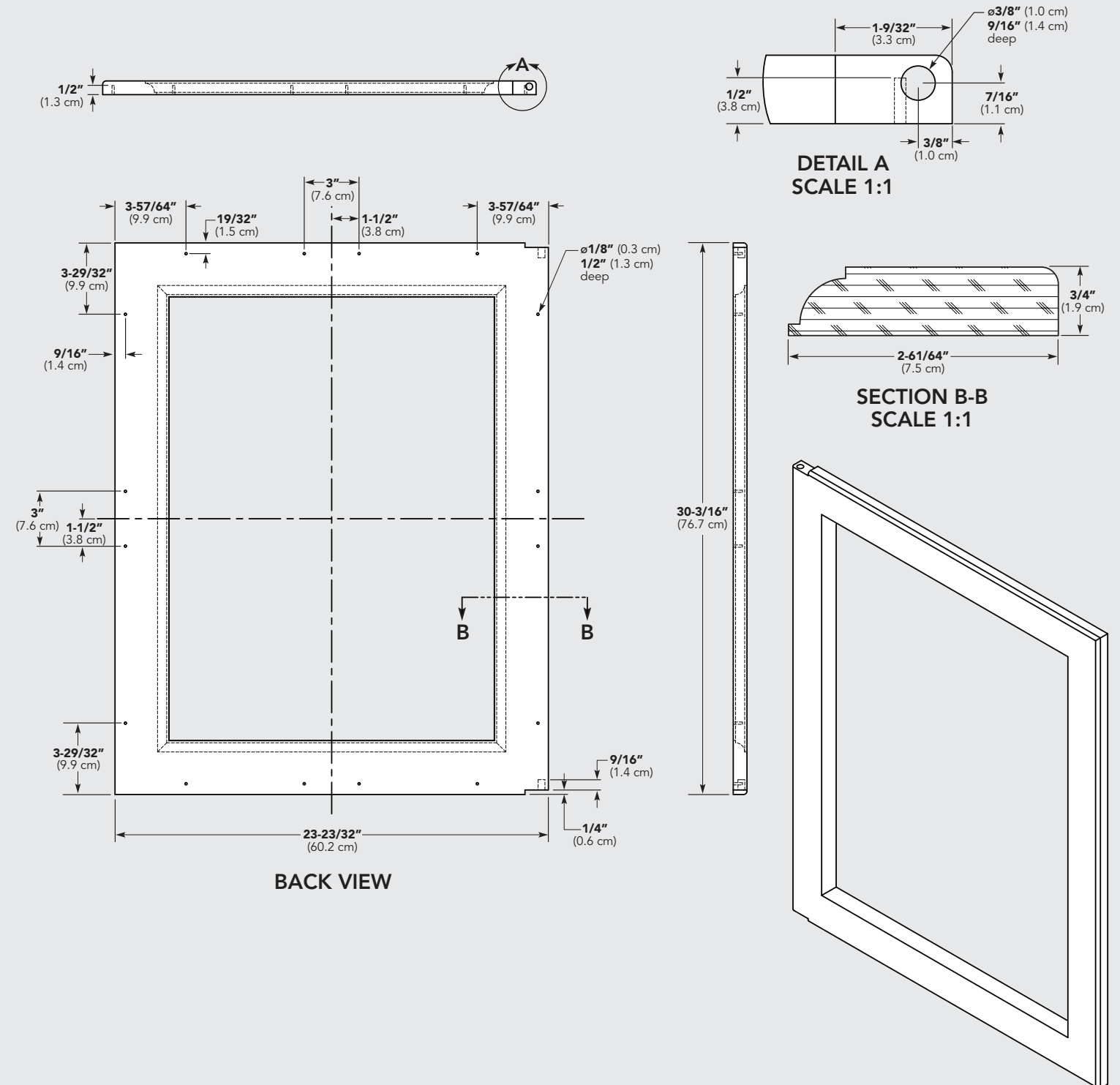
⚠ WARNING

A minimum of two people should lift the unit at the base to prevent possible personal injury.

Custom Panel Dimensions (15"W. Model w/glass door)



Custom Panel Dimensions (24"W. Model w/glass door)



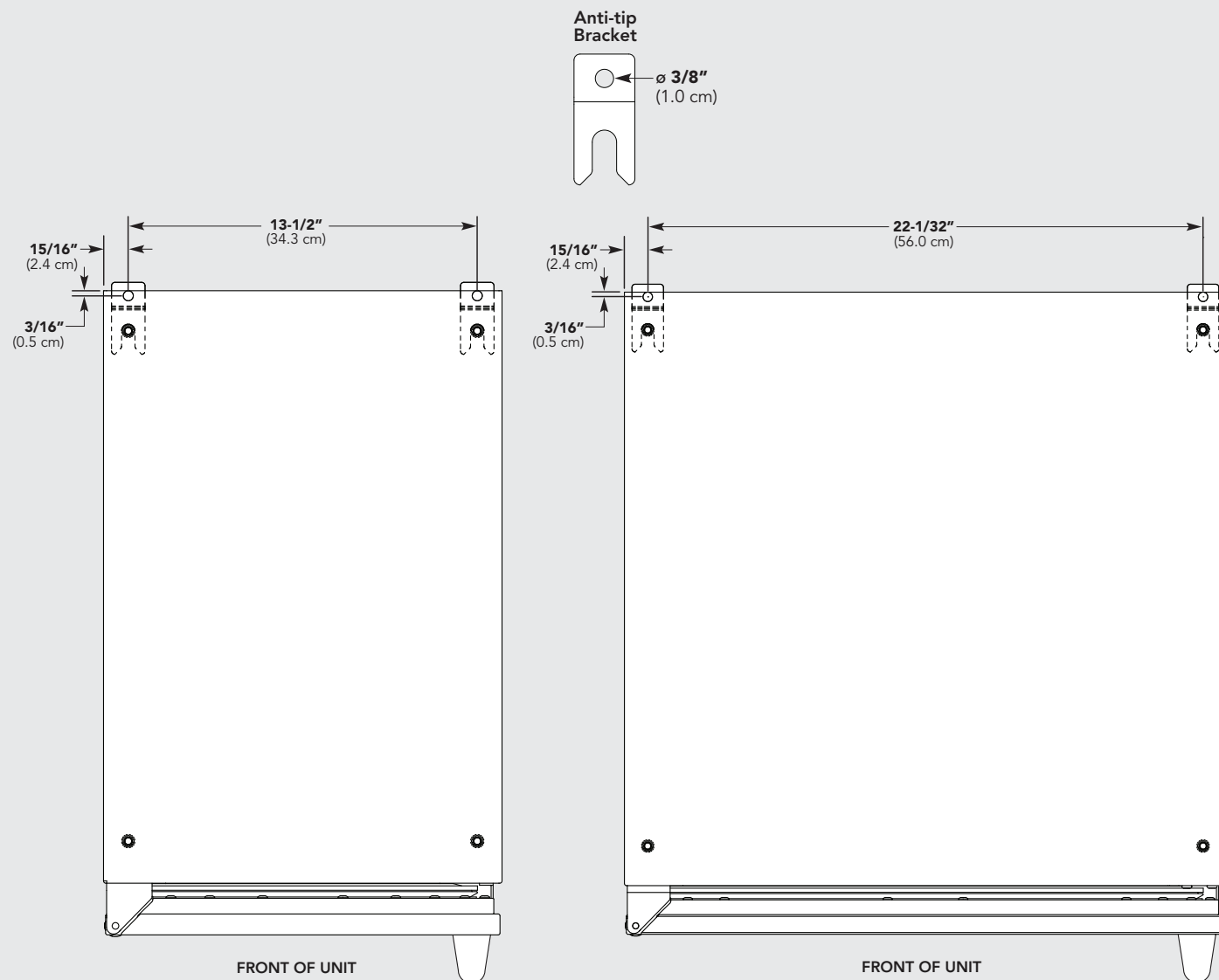
Anti-Tip Brackets

⚠️ WARNING

Unit may tip forward if loaded racks/shelves are all pulled out at the same time. To prevent tipping and provide a stable installation, the unit must be secured in place with the anti-tip brackets provided with the unit. A set of metal anti-tip brackets are supplied with the unit. The anti-tip brackets, when properly installed should secure the rear legs and prevent the unit from tipping forward.

Some installation sites may require modification to provide a secure surface for attaching the brackets. Refer to the illustrations below for mounting bracket locations.

IMPORTANT: If installing on a concrete floor, concrete fasteners are required and not included with the anti-tip kit.



Installation

⚠️ CAUTION

Any finished flooring should be protected with appropriate material to avoid damage from moving the unit.

If unit has been laid on its back or sides, place unit upright and allow minimum of 24 hours before connecting power. Re-install the doors by removing the upper pivot pin completely, sliding the door onto the lower pivot pin and re-installing the upper pivot pin and fastening tightly. Before moving the unit, make sure the door is secured to the cabinet (tape may be required to hold the doors closed).

1. Plug the unit into the 15 amp grounded outlet located in the installation opening. With power applied to the unit, check that the lighting and cooling function operate properly, then turn off power to the wall outlet at the circuit breaker.

⚠️ WARNING

Shut off power to the wall outlet before installing into the opening.

2. Check that the following are level and square:
 - Front face and interior opening
 - Installation opening and floor surface
 - Countertop bottom front edge

IMPORTANT: Leveling legs should not be extended more than 3/4" from bottom of the cabinet.

IMPORTANT: The floor under the unit must be at the same level as the surrounding finished floor.

3. If all surfaces are level:
 - a. Measure from the floor to the bottom of the front edge of the countertop
 - b. Measure the rear of the unit cabinet from the floor to top of cabinet, at back corners
 - c. Adjust rear legs so B measurement equals A measurement. Using an adjustable wrench or pliers, turn legs counterclockwise to raise the unit or clockwise to lower the unit
4. Slide the cabinet into position, making sure the rear cabinet leveling legs slide under the anti-tip devices. Push the cabinet into the opening until the bottom front edge of the cabinet is flush with the surrounding cabinetry or the leveling legs are tight with the anti-tip devices.

IMPORTANT: The rear cabinet leveling legs must be engaged under the anti-tip brackets.

5. Shim the front of the unit so the front face is flush with surrounding cabinetry. Adjust the front legs to support the countertop at the shimmed height. Using an adjustable wrench or pliers, turn legs counterclockwise to raise the unit or clockwise to lower the unit. Countertop should be resting on top of the unit.

IMPORTANT: If countertop is not resting entirely on unit top, shim the countertop to prevent damage to the countertop.

⚠️ CAUTION

To prevent damage to the countertop and unit underneath, do not place heavy objects on countertop directly above the unit.

Installation (cont.)

6. Check interior door openings inside the cabinet to ensure the cabinet is level. Re-install all shelving and drawers. Take extreme care to insert sliding shelving and sliding drawers squarely into slide brackets and proper slide bracket grooves. When sliding shelving and drawers are installed properly a click should be heard from both slide bracket retaining clips and should slide smoothly in the tracks. When sliding shelving or drawers are pulled out to full extension, a stop is activated to prevent additional pull-out.

⚠ CAUTION

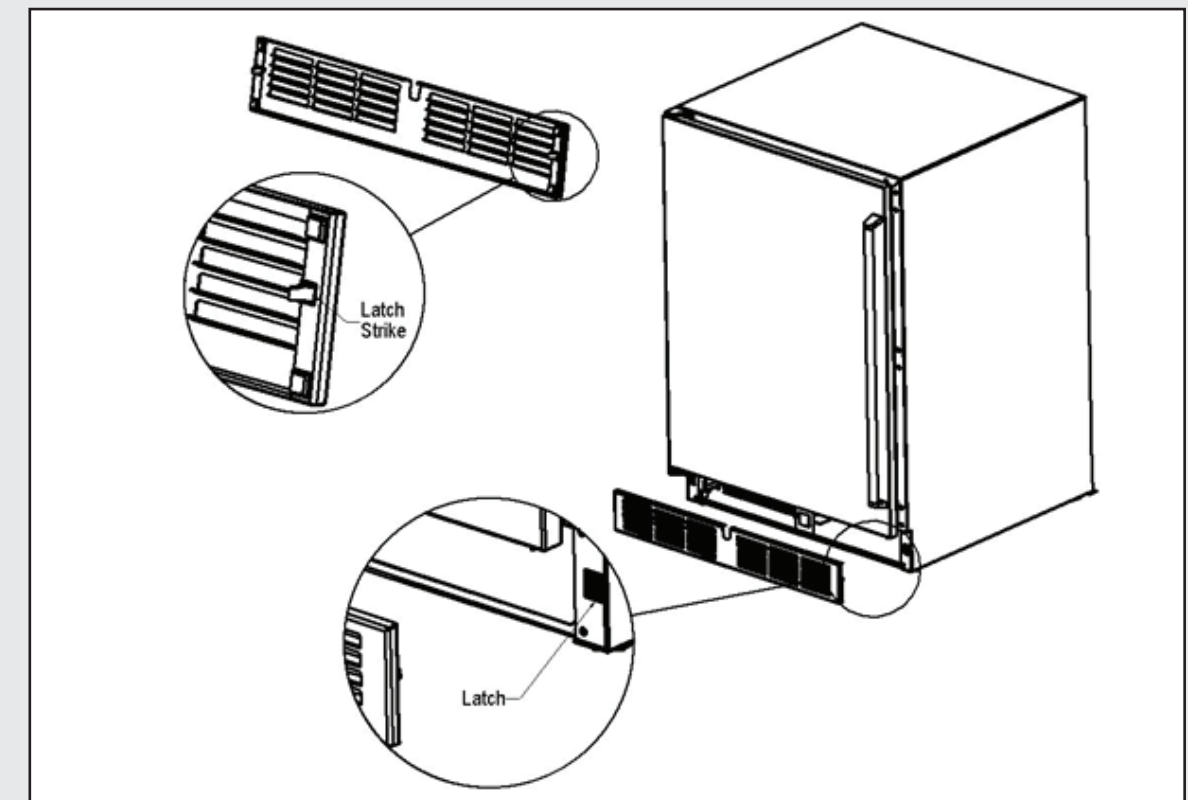
Improper shelving or drawer installation may not actuate slide stop mechanism.

Kickplate Installation

When the unit is secured in place, install the slotted kickplate. Secure slotted kickplate by snapping the latch into the latch catch on the unit.

⚠ CAUTION

The slotted kickplate must be removable for servicing. The floor cannot interfere with removal. The slotted sections of the kickplate must not be covered or obstructed so as to prevent proper air circulation.



Installation Checklist

IMPORTANT: To ensure a safe and proper installation, review below items directly with installer.

- Has all shipping tape, string and packing been removed?
- Has the unit been secured in place with the provided anti-tip bracket or is the unit 1 inch or less from a solid soffit?
- Are all levelers extended down to make contact with the floor?
- Is the unit level?
- Is the power cord connected directly into a properly grounded 3-prong outlet in accordance with all applicable local codes?
- Has all stainless protection film been removed?
- Are the panel(s) (wood overlays, if used) attached securely and properly?
- Allow the unit to operate for at least 24 hours before loading products or adjusting temperature settings.

Service Information

If service is required, call your Viking dealer or authorized service agency. The name of the authorized service agency can be obtained from the dealer or distributor in your area.

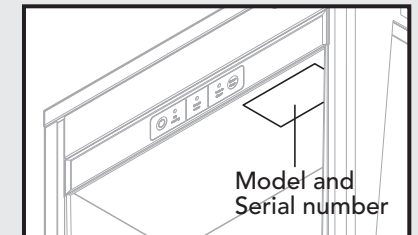
When you make a service call, be sure to have the following information handy:

- Model Number
- Serial Number
- Date of Purchase
- Name of dealer from whom purchased

If you are unable to obtain the name of an authorized service agency, or if you continue to have service problems, contact Viking Range Corporation at (888) 845-4641 or write to:

**VIKING RANGE CORPORATION
PREFERRED SERVICE
1803 Hwy 82W
Greenwood, Mississippi 38930 USA**

Record the information indicated below. You will need it if service is ever required. The model and serial number for your undercounter refrigeration unit are located in the top right under the control housing.



Model Number _____ Serial Number _____

Date of Purchase _____

Date Installed _____

Dealer's Name _____

Address _____

If service requires installation of parts, use only authorized parts to insure protection under the warranty.

KEEP THIS MANUAL FOR FUTURE REFERENCE.

